

LIFEGARD #R270632

# RAINTIGHT BALLAST BOX

FOR LIFEGARD ULTRAVIOLET STERILIZER BALLASTS

Figure 1.

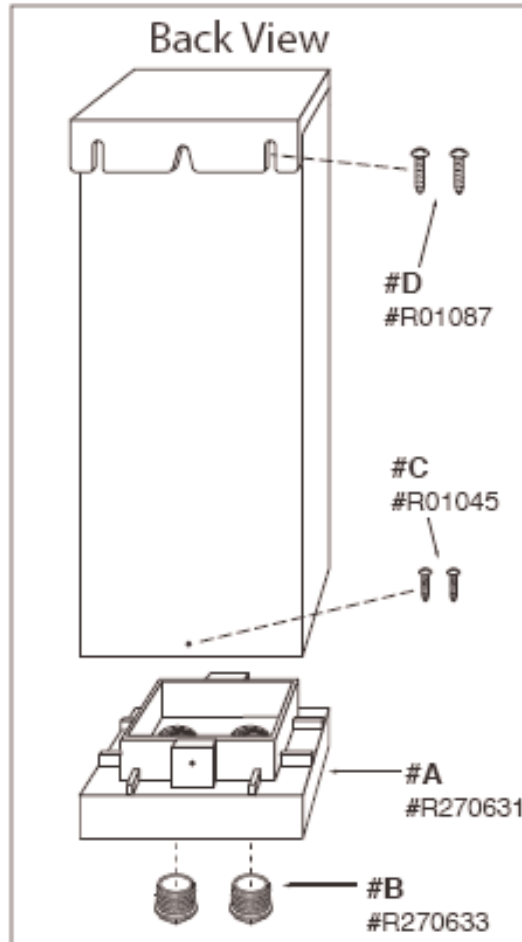
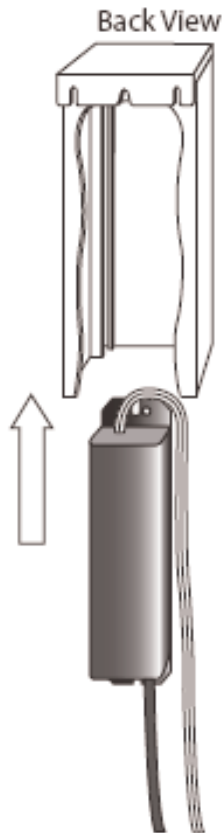


Figure 2.

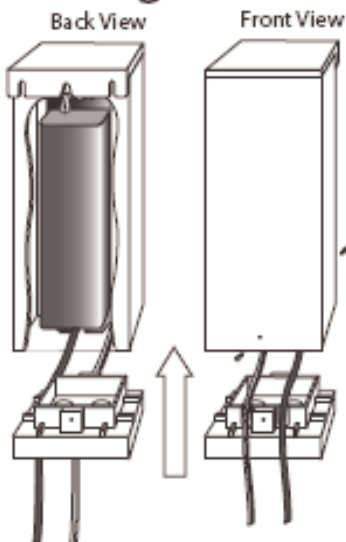
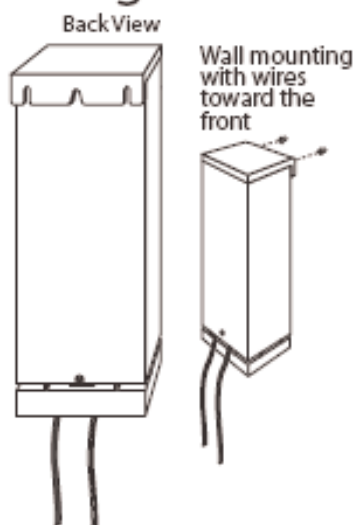


Figure 3.



## WARNING!

*Failure to install the unit in the correct position may result in water damage to the ballast and possibly create an electrical hazard.*

1. Remove bottom plate (item #A) from box. Consult a licensed electrician to hard wire the unit if desired. If hard plumbing the ballast is not desired, screw the two threaded plugs (item #B) into the bottom plate.
2. Hold ballast so that the wire that connects to the UV bulb is in an upright position and the wire to the plug is pointing downward.
3. Fold the wire that connects to the UV bulb downward along side the ballast (figure #1).
4. Place the ballast inside the box with the two cords coming out the open end of the box.
5. Position the bottom plate on open end of box allowing wires to fit into slots provided (figure #2) and secure with two screws provided (item #C).
6. Mount ballast box (with ballast inside) in correct vertical position (figure #3) with mounting screws provided (item #D). Line up screws (3" apart on center) with screw support slots on ballast box lid. Push box over screw heads and slide down to lock in place.
7. Ballast must be plugged into a properly grounded Ground Fault Circuit Interrupter (GFCI), a normal precaution for electrical devices near water environments. Severe or fatal injury can result if unit is not plugged into a properly grounded GFCI adapter. Shut off power before servicing ballast or ultraviolet sterilizer unit. install box where the ballast plug and electrical outlet will be contained inside an outdoor raintight receptacle to prevent any exposure to moisture.



800-628-8771 Fax: 800-424-1445  
Email: info@lifegardaquatics.com  
www.lifegardaquatics.com